

Quiz 9 Comments

Quiz 9 Comments

1. $S \rightarrow E$
2. $E \rightarrow T + E$
3. $E \rightarrow T$
4. $T \rightarrow \text{id}$

Quiz 9 Comments

- Configuration Item
S -> · E, eof

Quiz 9 Comments

0

S -> · E, eof

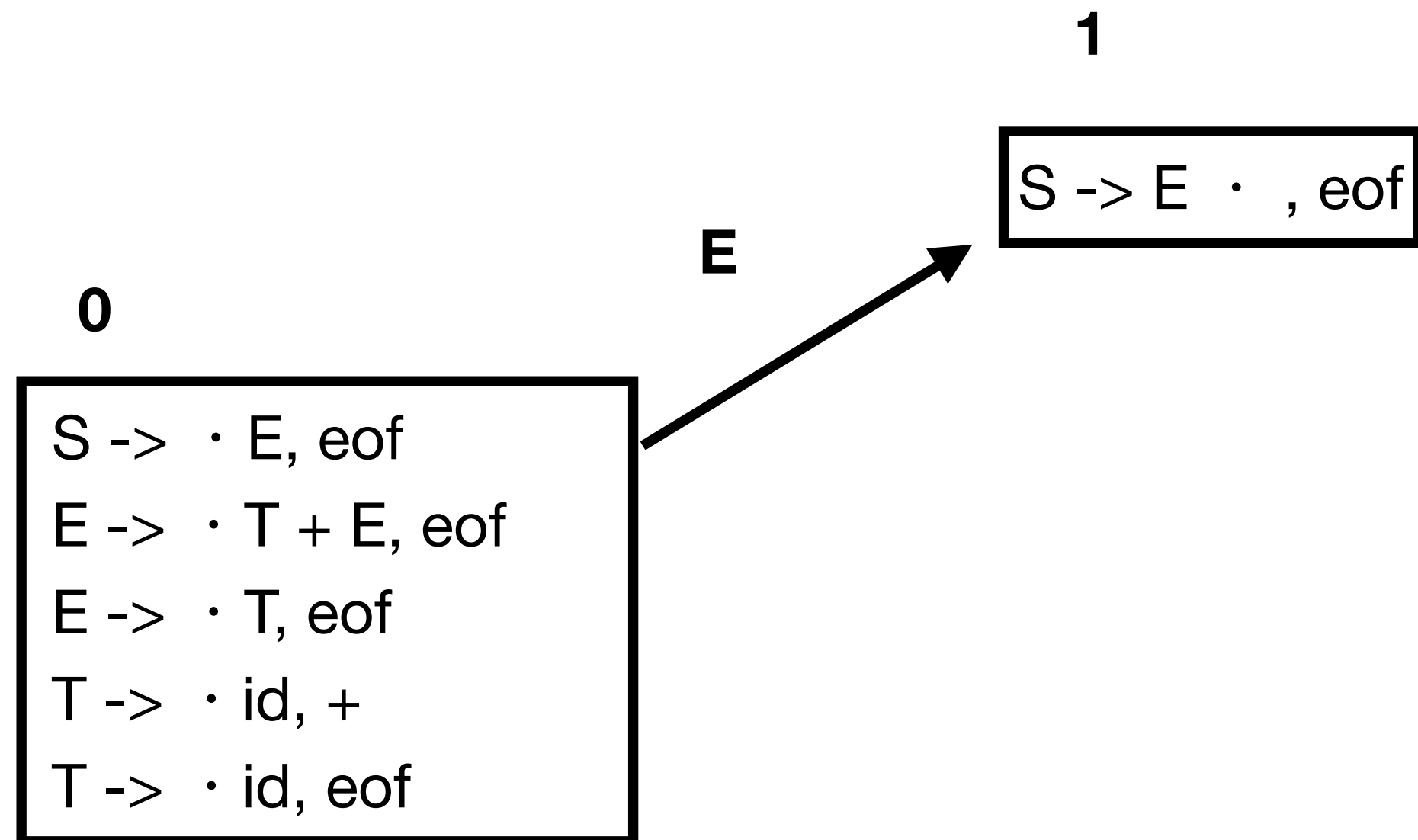
E -> · T + E, eof

E -> · T, eof

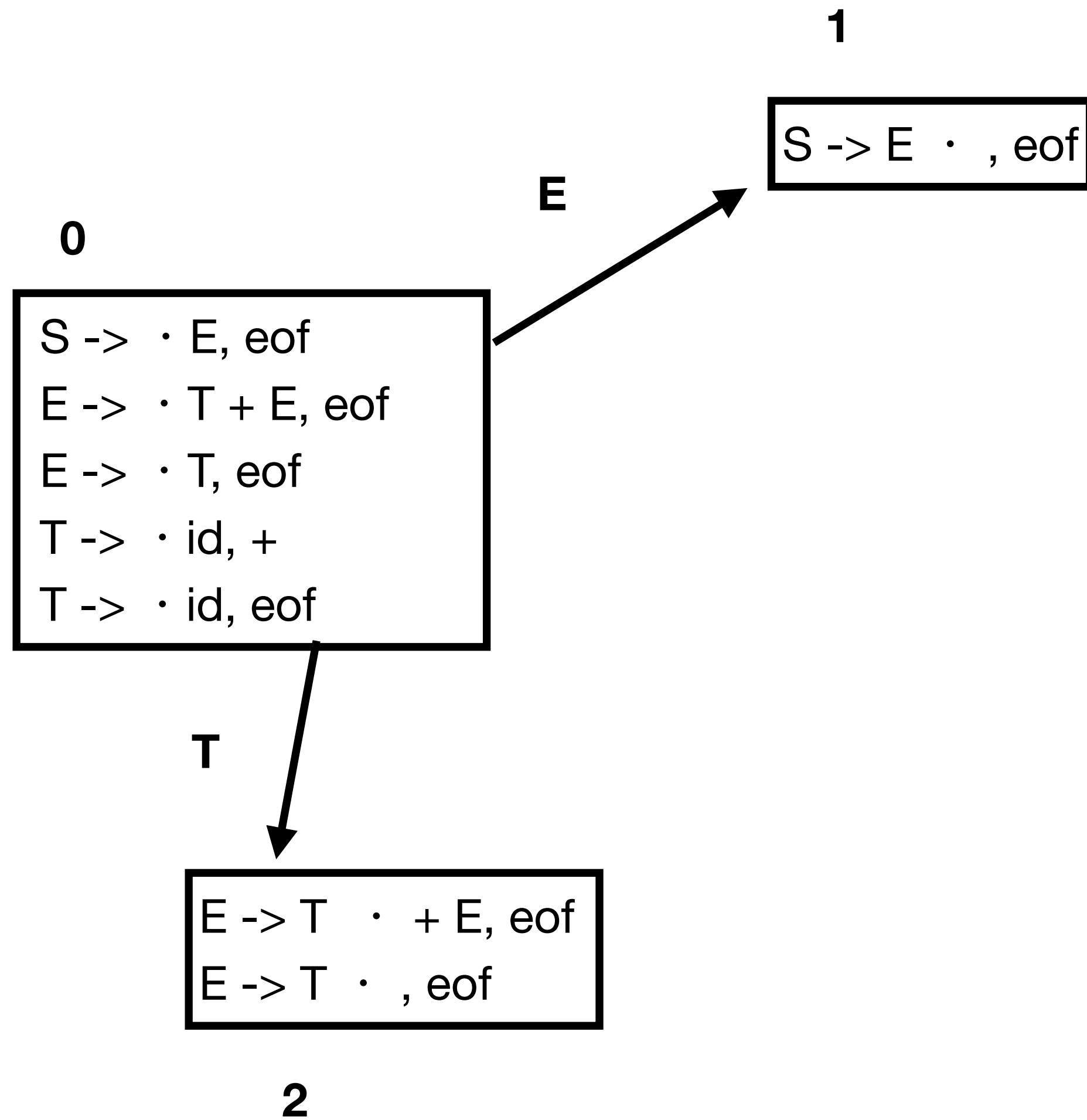
T -> · id, +

T -> · id, eof

Quiz 9 Comments



Quiz 9 Comments



Quiz 9 Comments

