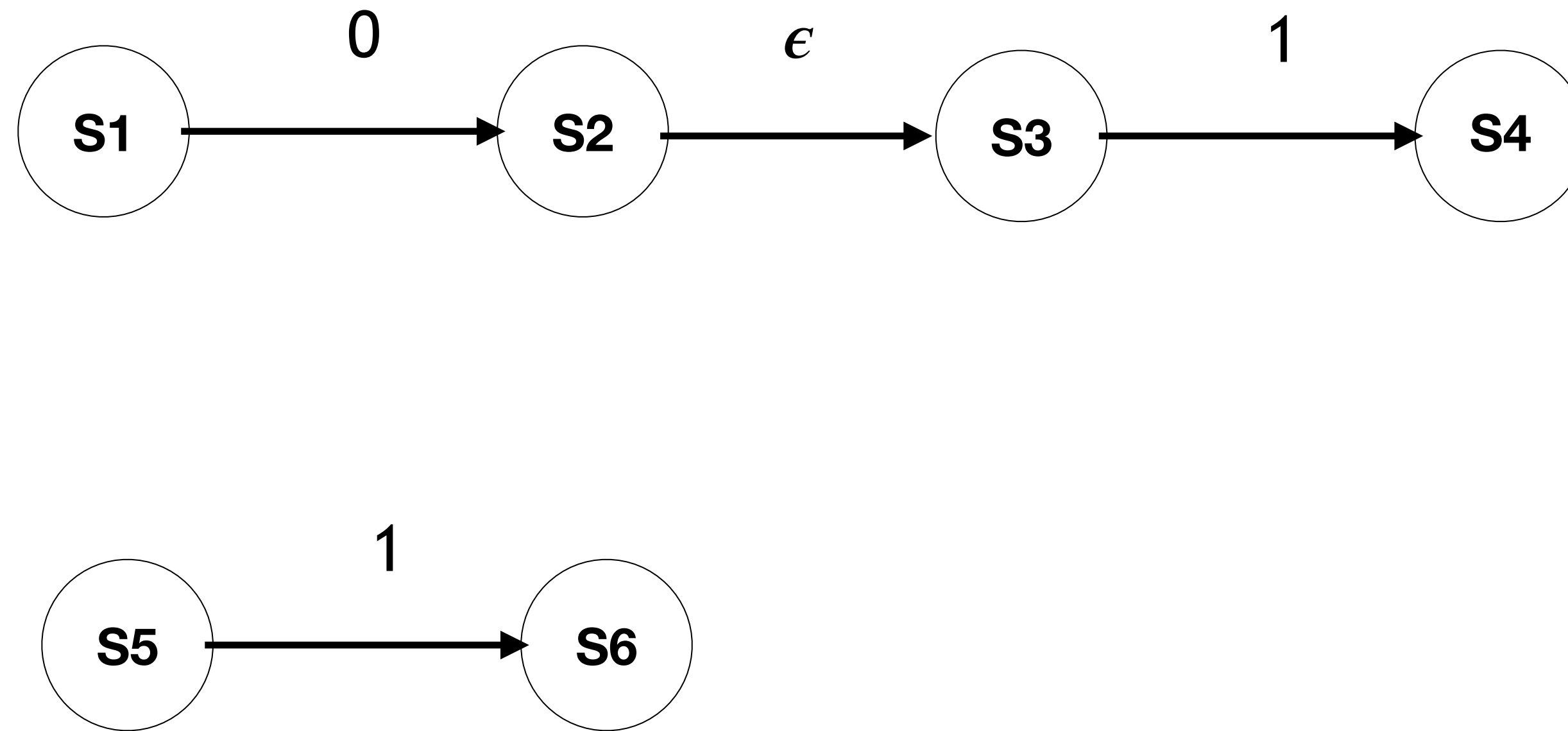
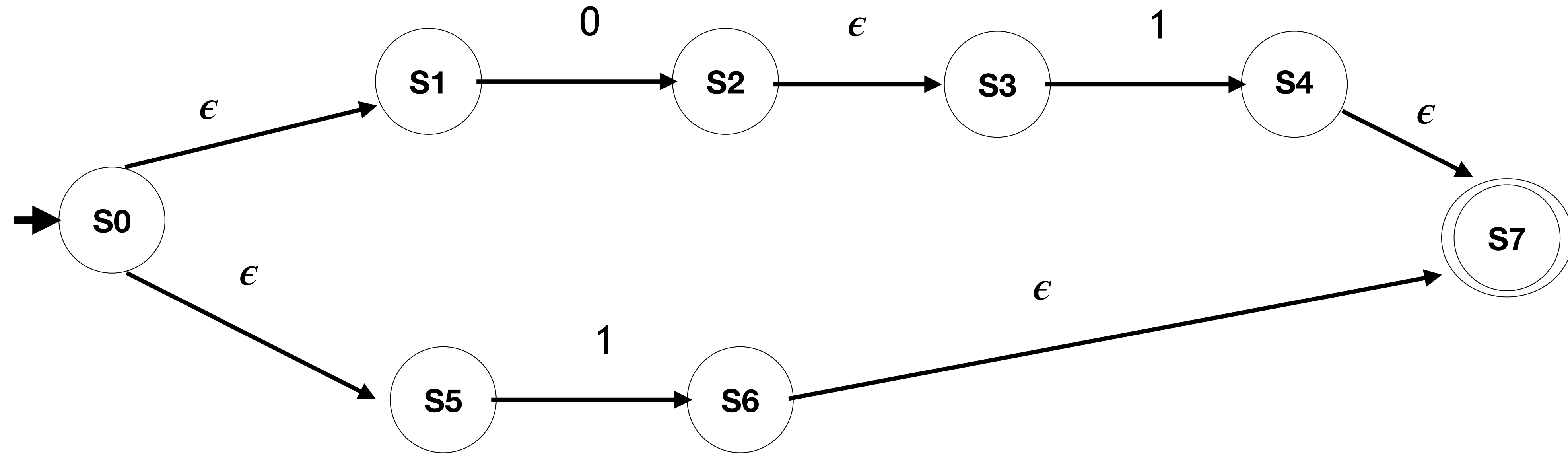


Quiz 3 Solution

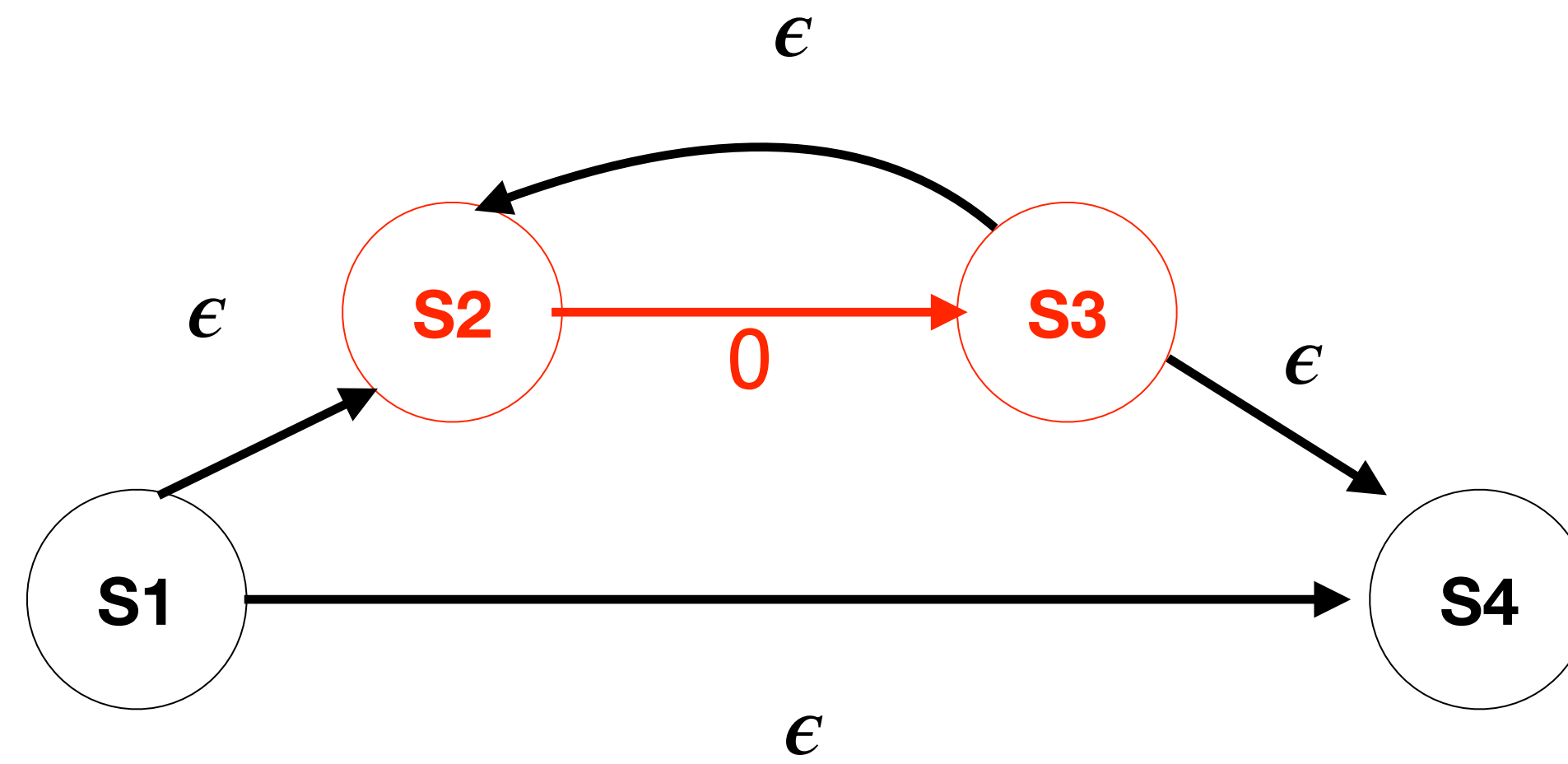
1a. NFA for $(01) \mid 1$



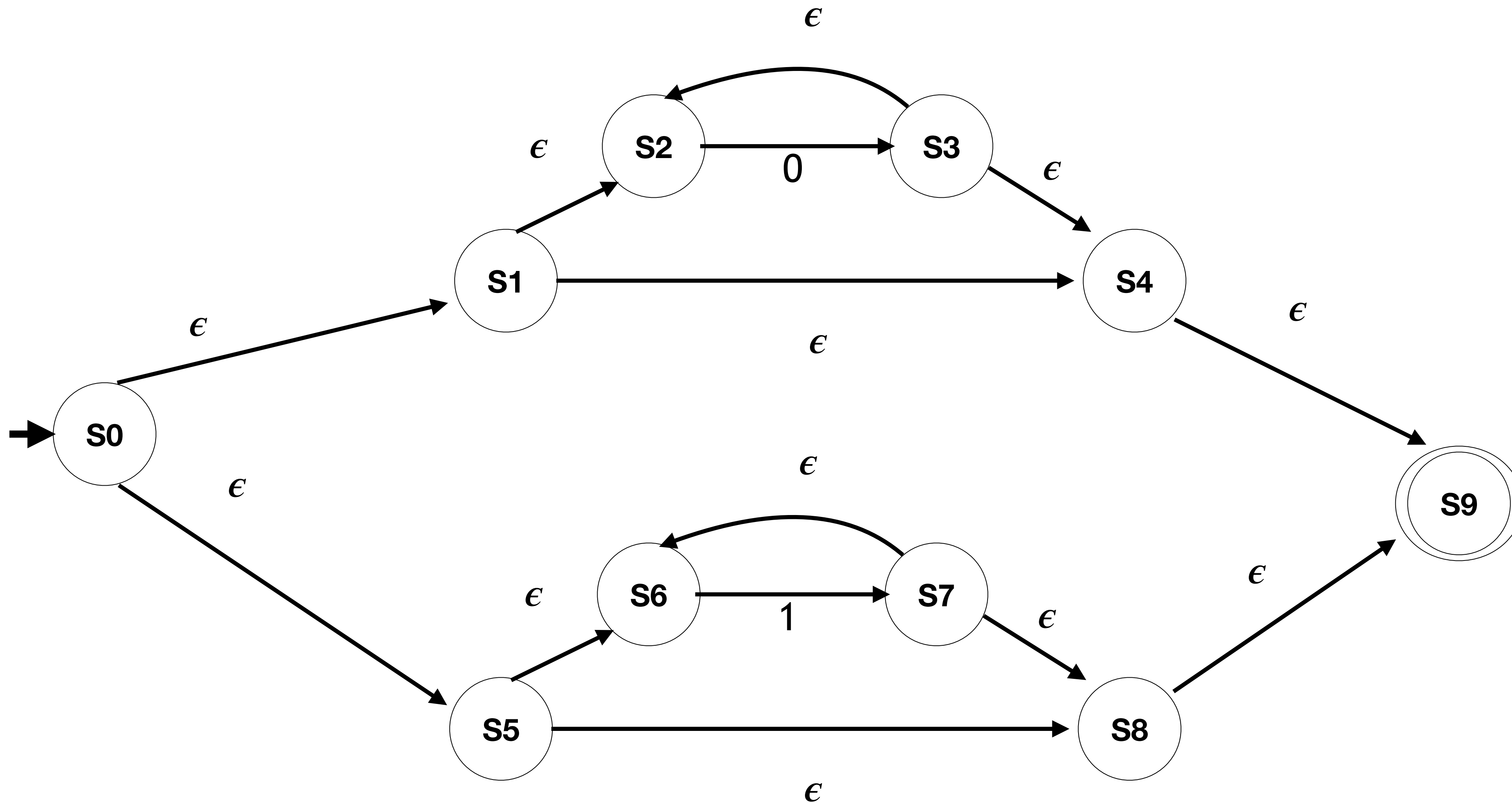
1a. NFA for $(01) | 1$



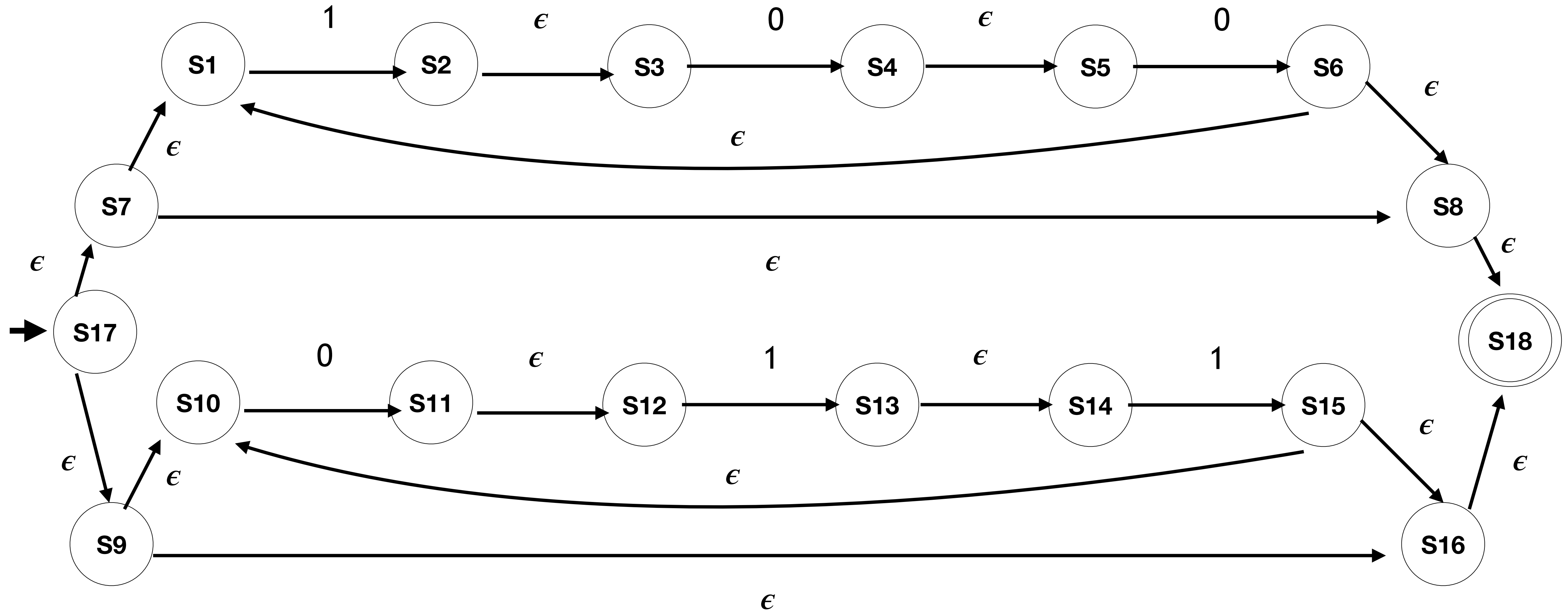
1b. NFA for $(0^* | 1^*)$



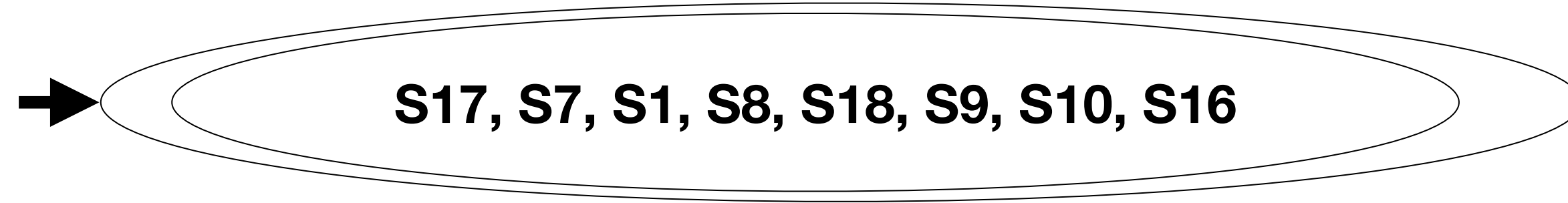
1b. NFA for $(0^* | 1^*)$



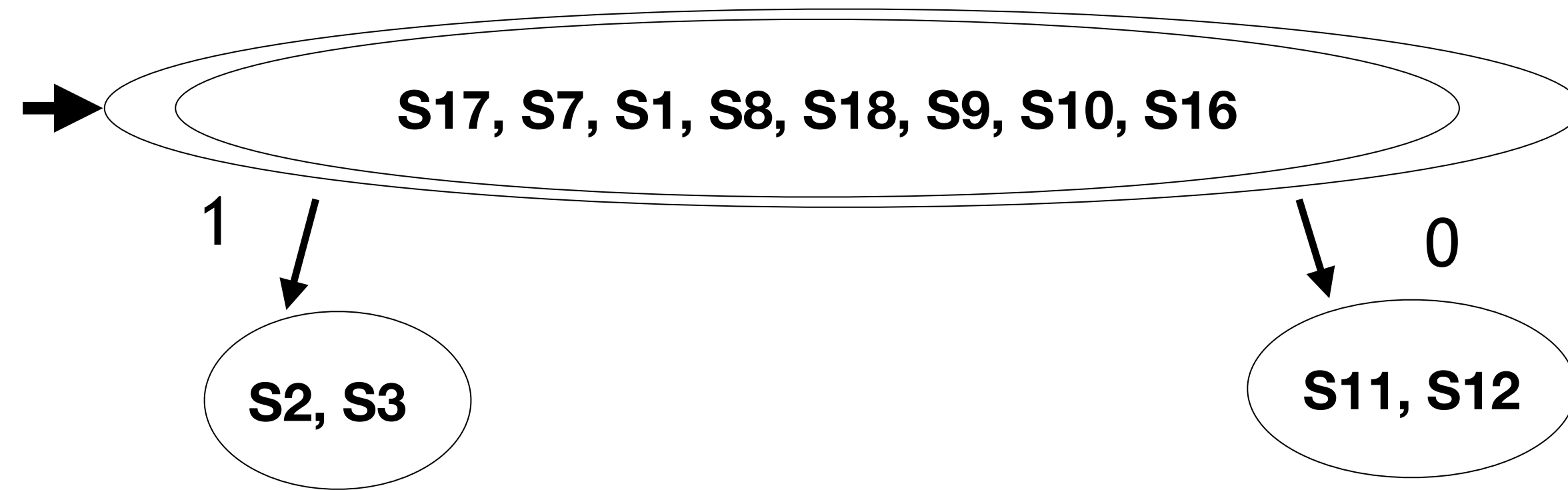
2. Use the subset construction algorithm to create a DFA from the NFA shown below



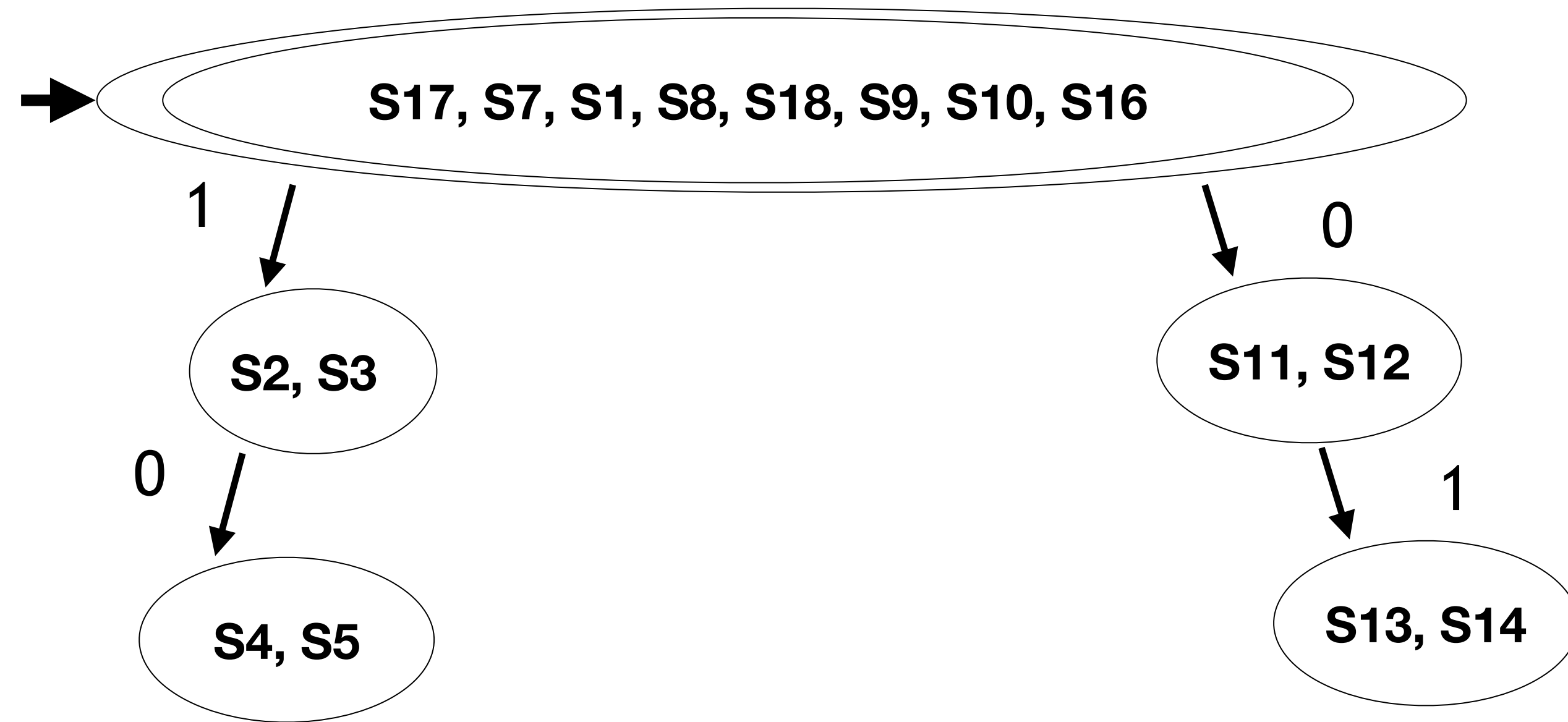
NFA to DFA



NFA to DFA



NFA to DFA



NFA to DFA

